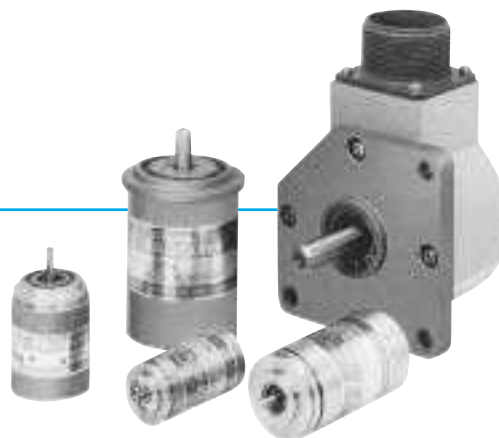


FA-SOLVER®

SHAFT RESOLVERS



BRX

Products on this page are within FA-SOLVER® series.

SIZE		08	10	11	15	25
Model No.		TS510N35E18	TS520N46E9	TS530N33E10	TS540N33E12	TS2014N141E26
Type		BRX	←	←	←	←
Primary		R1-R2	←	←	←	←
Input Voltage/Frequency		7Vrms 3kHz	7Vrms 3kHz	18Vrms 5kHz	15Vrms 1kHz	10Vrms 4.5kHz
Transformation Ratio		0.5 ± 10%	0.5 ± 10%	0.5 ± 20%	0.5 ± 10%	0.5 ± 10%
Electrical Error		±15' Max.	±10' Max.	Spread10'	±10' Max.	±10' Max.
Null Voltage		15mVrms Max.	15mVrms Max.	15mVrms Max.	20mVrms Max.	15mVrms Max.
Phase Shift		+9.5° Nom.	+6.5° Nom.	-5° Nom.	+5° Nom.	-7.5° Nom.
Impedance	Z _{RO}	860+j1,230Ω	847Ω	1,000Ω	1,030Ω	250+j377Ω
	Z _{SO}	—	—	—	680Ω	400+j690Ω
	Z _{SS}	205+j190Ω	252Ω	380Ω	540Ω	326+j623Ω
Operating Temperature		-30 ~ +100°C	←	←	←	←
Max. Operating Speed		100s ⁻¹	←	←	←	←
Mass		0.045kg	0.07kg	0.11kg	0.24kg	0.62kg
Output Type		Normal	Normal	Normal	Reverse	Normal

BRT

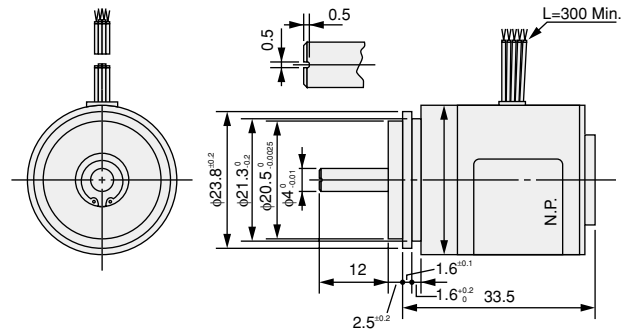
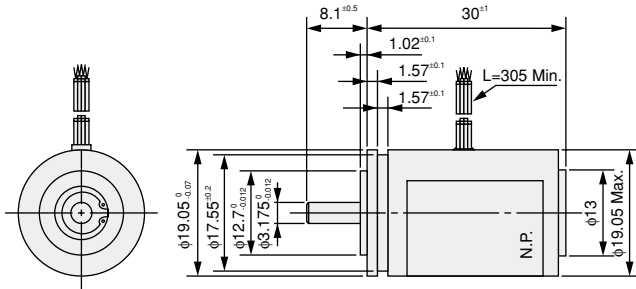
SIZE		11
Model No.		TS530N33E9
Type		BRT
Primary		S1-S3, S2-4
Input Voltage/Frequency		3.5Vrms 3kHz
Transformation Ratio		0.56 ^{+8%} / _{-6%}
Electrical Error		Spresd 10' Max. (AT 11.8Vrms) 400Hz
Impedance	Z _{SO}	500Ω Min. (AT 11.8Vrms) 400Hz
	Z _{RS}	1000Ω Max. (AT 6.6Vrms) 400Hz
Operating Temperature		0 ~ +90°C
Max. Operating Speed		133.3s ⁻¹
Mass		0.11kg

OUTLINE

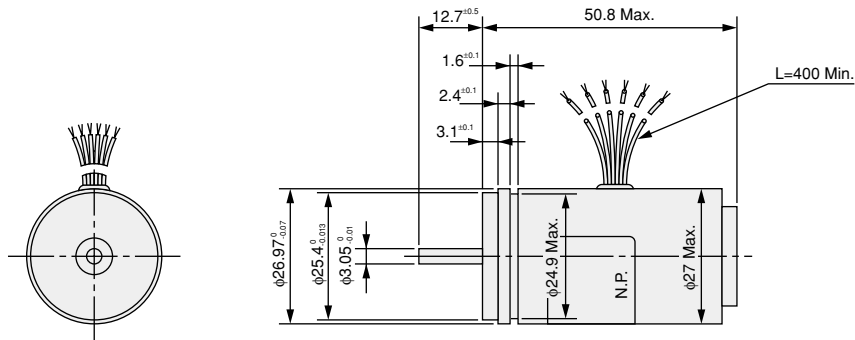
(DIMENSION : mm)

SIZE 08 TS510N35E18

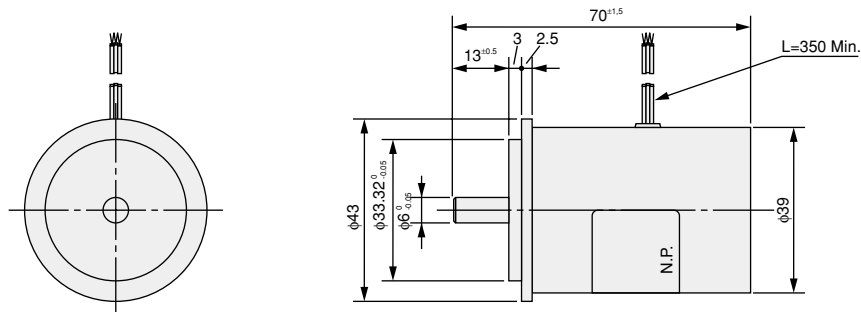
SIZE 10 TS520N46E9



SIZE 11 TS530N33E10, TS530N33E9



SIZE 15 TS540N33E12



SIZE 25 TS2014N141E26

