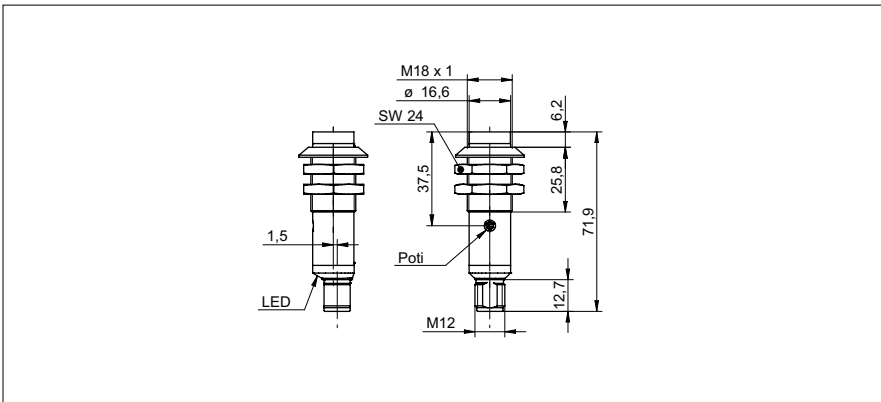


Diffuse sensors with background suppression

OR18.GR

sample drawing



general data

type	background suppression
light source	pulsed red LED
sensing distance T_w	40 ... 120 mm
sensing range T_b	5 ... 120 mm
power on indication	LED green
output indicator	LED yellow
sensing distance adjustment	mechanical, 4 turn
wave length	660 nm

electrical data

response time / release time	< 1 ms
voltage supply range +Vs	12 ... 30 VDC
current consumption max. (no load)	40 mA
current consumption typ.	30 mA
voltage drop Vd	< 2 VDC
output function	light / dark operate
output current	< 100 mA
short circuit protection	yes
reverse polarity protection	yes

mechanical data

width / diameter	18 mm
height / length	71,9 mm
type	cylindrical threaded
housing material	plastic (ABSTERLURAN)
front (optics)	PMMA
connection types	connector M12 4 pin

ambient conditions

operating temperature	-25 ... +55 °C
protection class	IP 67

order reference

OR18.GR-11157842	NPN
OR18.GR-11157841	PNP

output circuit

sample picture

