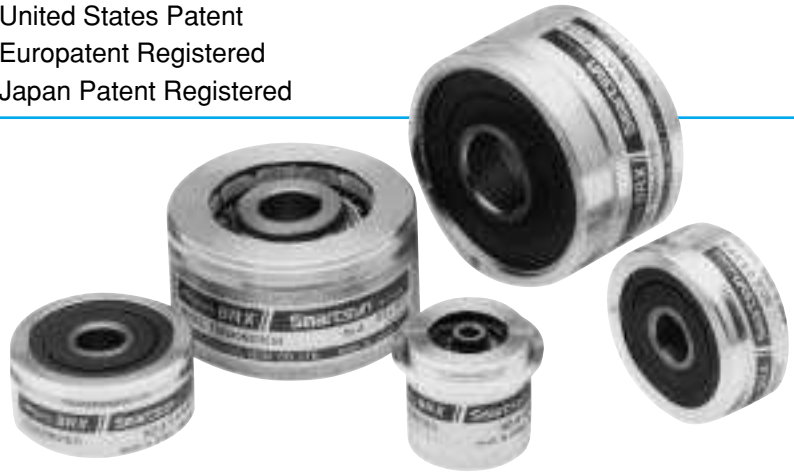


BUILT-IN RESOLVERS

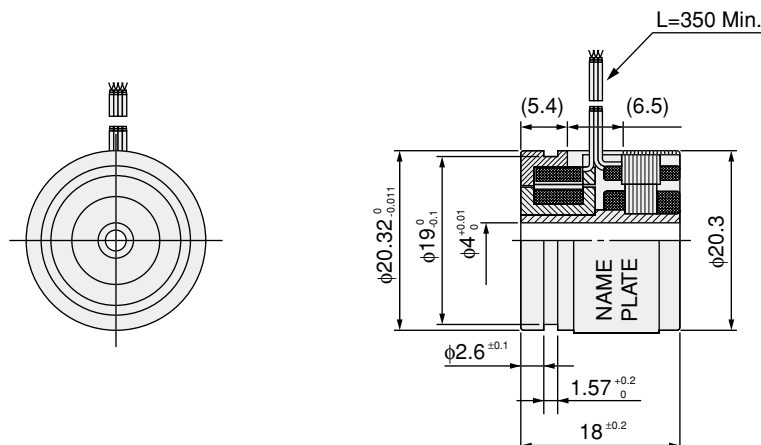


SIZE	08	10	15		21		
Model No.	TS2605N1E64	TS2610N171E64	TS2620N21E11	TS2620N271E14	TS2640N321E64	TS2640N691E125	
Type	BRX	←	←	←	←	←	
Primary	R1-R2	←	←	←	←	←	
Input Voltage/Frequency	7Vrms 10kHz	7Vrms 10kHz	7Vrms 10kHz	10Vrms 4.5kHz	7Vrms 10kHz	5Vrms 4kHz	
Transformation Ratio	0.5±5%	0.5±5%	0.5±5%	0.5±10%	0.5±5%	0.5±10%	
Error	±10' Max.	±10' Max.	±10' Max.	±10' Max.	±10' Max.	±8' Max.	
Null Voltage	20mVrms Max.	20mVrms Max.	20mVrms Max.	20mVrms Max.	25mVrms Max.	—	
Phase Shift	+10° Nom.	+5° Nom.	0° Nom.	+8° Nom.	-5° Nom.	+0 ~ +10°	
Impedance	Z _{RO}	140Ω	160Ω	70+j100Ω	90+j180Ω	110+j140Ω	290Ω Nom.
	Z _{SO}	—	160Ω	180+j300Ω	220+j350Ω	150+j270Ω	—
	Z _{SS}	120Ω	130Ω	175+j257Ω	210+j300Ω	130+j240Ω	420Ω Nom.
Operating Temperature	-55~+155°C	-55~+155°C	←	←	←	←	
Max. Operating Speed	500s ⁻¹	333.3s ⁻¹	←	←	166.7s ⁻¹	←	
Mass	0.03kg	0.04kg	0.06kg	0.07kg	0.22kg	0.25kg	
Output Type	Reverse	Reverse	Normal	Normal	Normal	Normal	

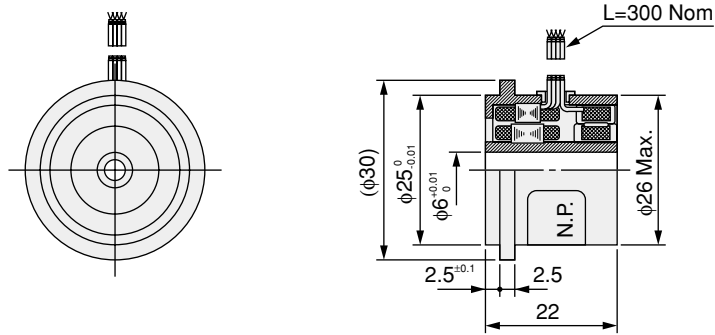
OUTLINE

(DIMENSION : mm)

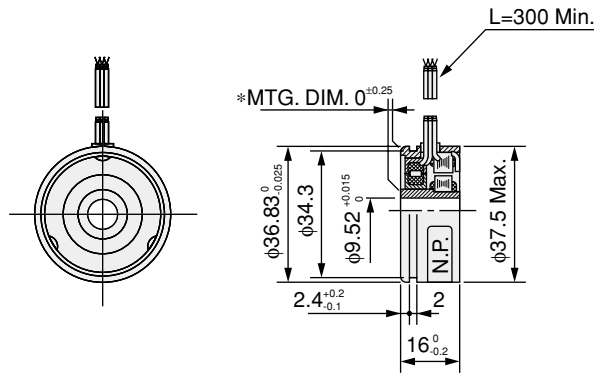
SIZE 08 TS2605N1E64



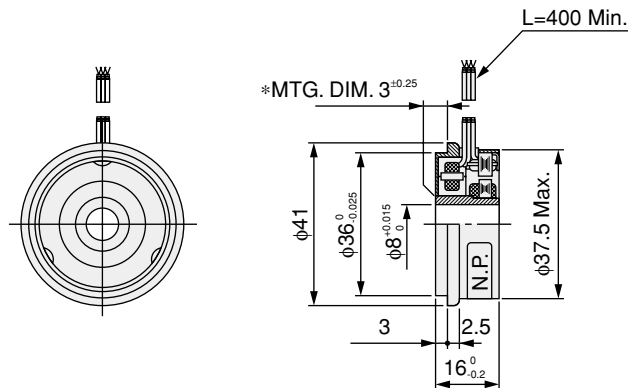
SIZE 10 TS2610N171E64



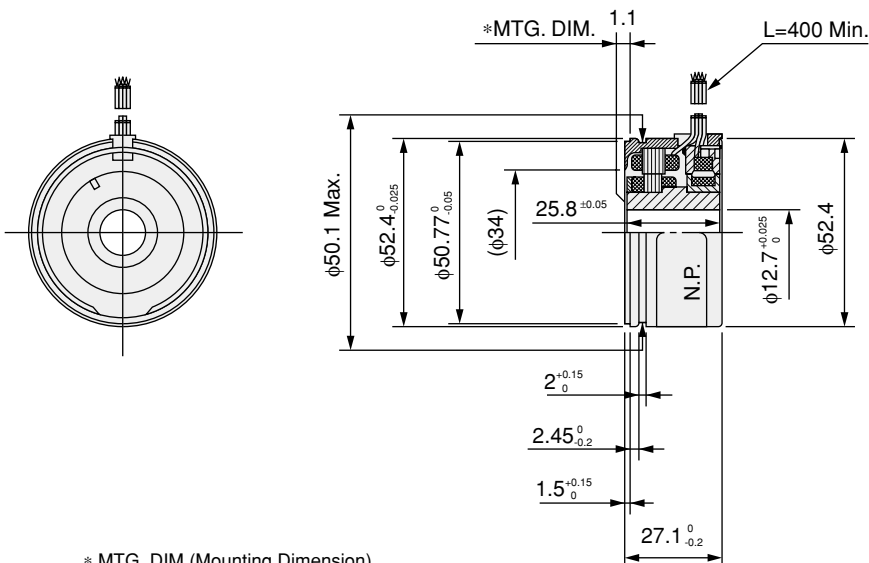
SIZE 15 TS2620N21E11



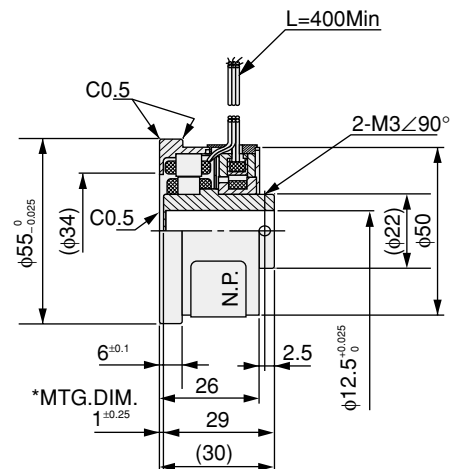
SIZE 15 TS2620N271E14



SIZE 21 TS2640N321E64



TS2640N691E125



* MTG. DIM (Mounting Dimension)