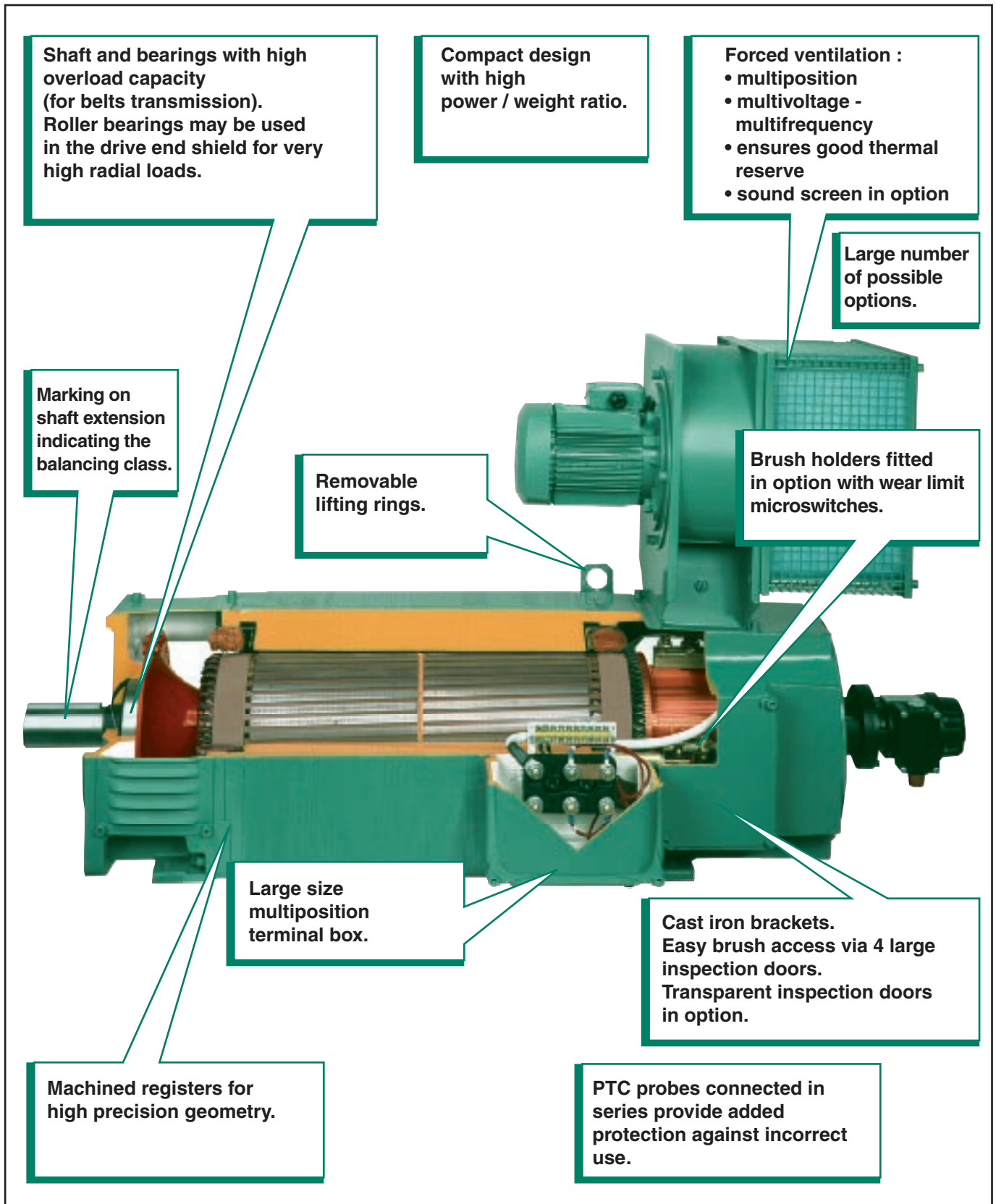
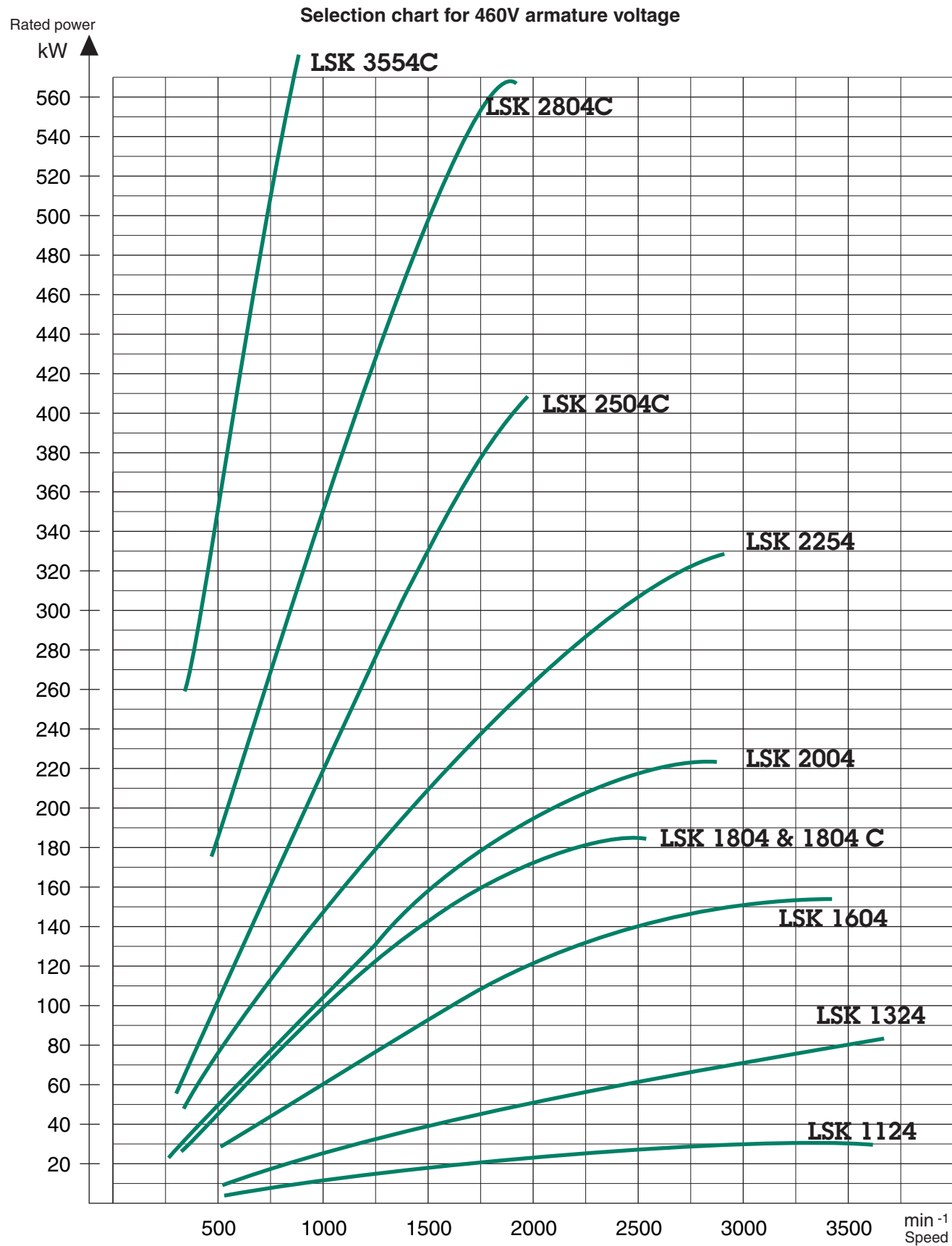


**LSK**  
**D.C. motor**



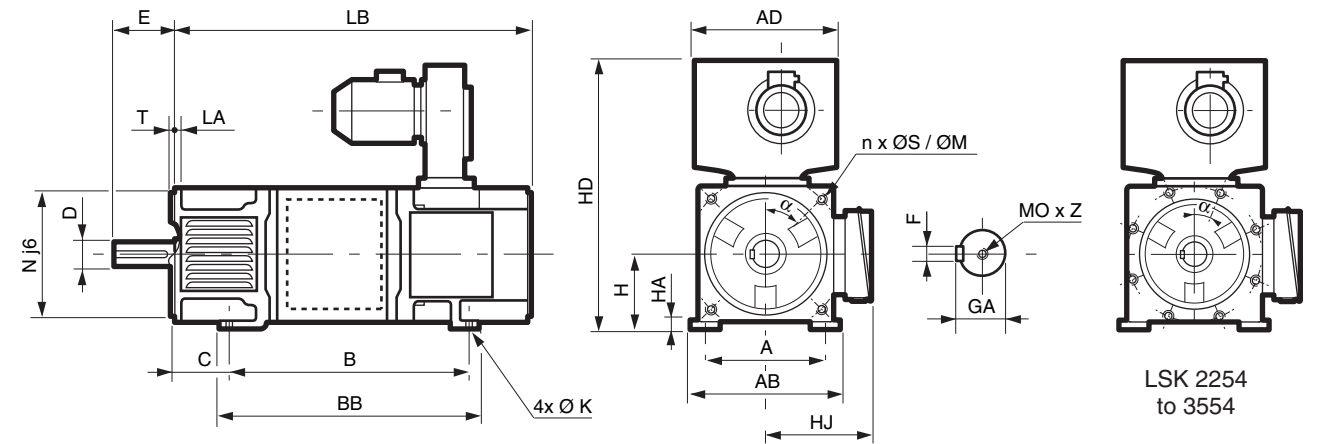
# LSK range



- LSK motor capabilities (in accordance with standard IEC 34.1) are achieved with :
- Full bridge three-phase power supply
  - IP 23 protection
  - IC 06 cooling (forced ventilation)
  - S1 continuous duty
  - Ambient temperature 40 C
  - Class H insulation system

# Dimensions

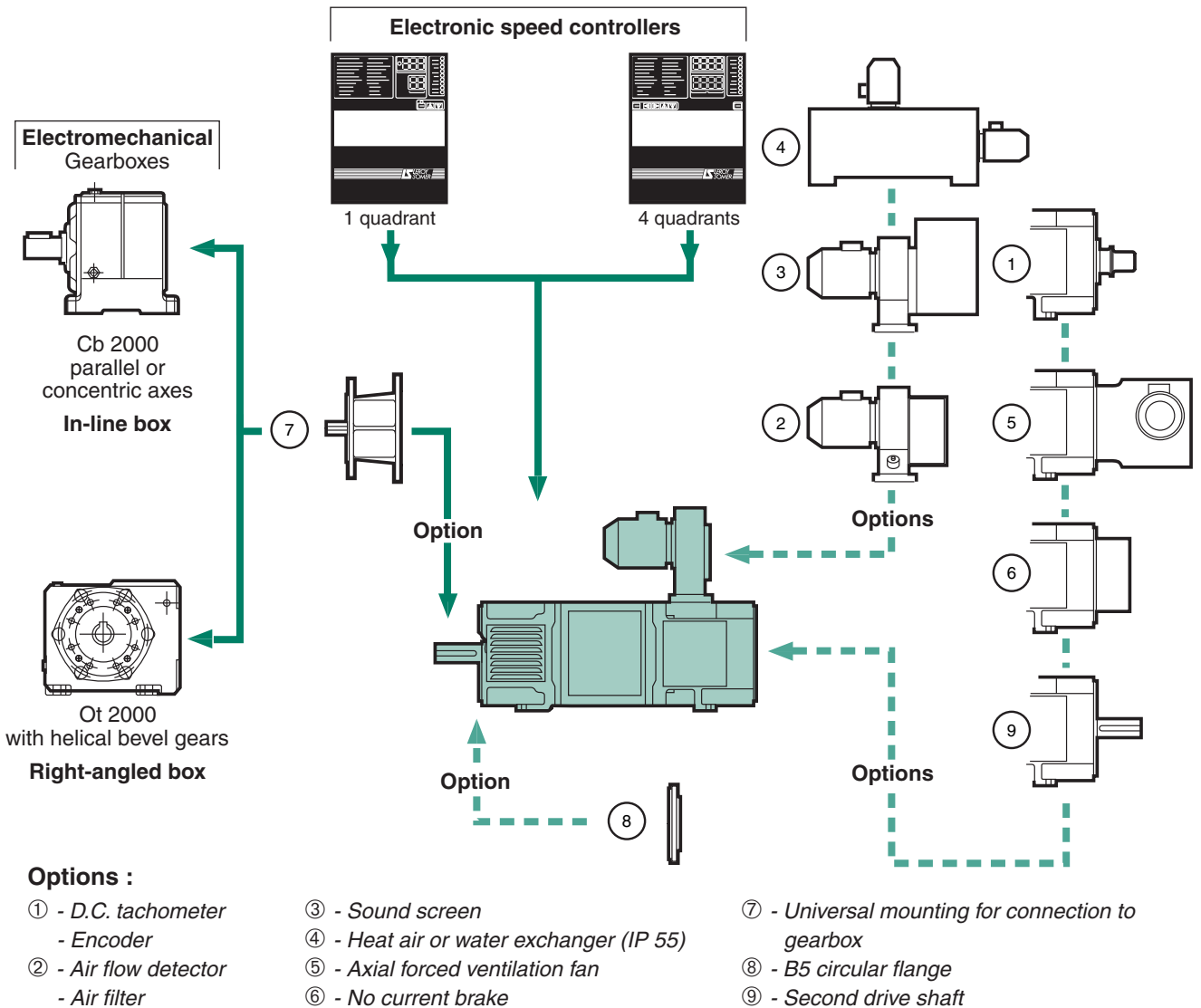
Dimensions in millimetres



Motor typ	Main dimensions												Shaft					Standard flange						
	A	AB	AD	B	BB	C	H	HA	HD	HJ	K	LB	D	E	F	GA	O	Z	LA	M	N	n	S	T
LSK 1124 M	190	220	220	380	404	70	112	10	472	202	12	546	38 k6	80	10	41	12	28	20	265	230	4	14	4
LSK 1124 L	190	220	220	450	474	70	112	10	472	202	12	616	38 k6	80	10	41	12	28	20	265	230	4	14	4
LSK 1124 VL	190	220	220	520	544	70	112	10	472	202	12	686	38 k6	80	10	41	12	28	20	265	230	4	14	4
LSK 1324 S	216	245	260	432	462	89	132	12	552	248	12	590	48 k6	110	14	51.5	16	36	22	300	250	4	18	5
LSK 1324 M	216	245	260	482	512	89	132	12	552	248	12	640	48 k6	110	14	51.5	16	36	22	300	250	4	18	5
LSK 1324 VL	216	245	260	582	612	89	132	12	552	248	12	740	48 k6	110	14	51.5	16	36	22	300	250	4	18	5
LSK 1324 XVL	216	245	260	652	682	89	132	12	552	248	12	810	48 k6	110	14	51.5	16	36	22	300	250	4	18	5
LSK 1604 S	254	300	318	425	469	103	160	15	678	313	14	750	55 m6	110	16	59	20	42	24	350	300	4	18	5
LSK 1604 M	254	300	318	505	549	103	160	15	678	313	14	830	55 m6	110	16	59	20	42	24	350	300	4	18	5
LSK 1604 L	254	300	318	565	609	103	160	15	678	313	14	890	55 m6	110	16	59	20	42	24	350	300	4	18	5
LSK 1604 VL	254	300	318	665	709	103	160	15	678	313	14	990	55 m6	110	16	59	20	42	24	350	300	4	18	5
LSK 1804 M	279	356	318	653	738	121	180	15	735	317	14	889	60 m6	140	18	64	20	42	20	350	300	4	18	5
LSK 1804 L	279	356	318	698	783	121	180	15	735	317	14	934	60 m6	140	18	64	20	42	20	350	300	4	18	5
LSK 1804 VL	279	356	356	883	968	121	180	15	760	317	14	1099	60 m6	140	18	64	20	42	20	350	300	4	18	5
LSK 1804C M	279	356	318	653	738	121	180	15	735	317	14	889	60 m6	140	18	64	20	42	20	350	300	4	18	5
LSK 1804C L	279	356	318	698	783	121	180	15	735	317	14	934	60 m6	140	18	64	20	42	20	350	300	4	18	5
LSK 2004 M	318	396	495	737	830	133	200	18	921	335	18	1000	65 m6	140	18	69	20	42	20	400	350	4	18	5
LSK 2004 L	318	396	495	802	895	133	200	18	921	335	18	1065	65 m6	140	18	69	20	42	20	400	350	4	18	5
LSK 2254 M	356	445	548	793.5	888	149	225	21	993	360	18	1090	80 m6	170	22	85	20	36	31	400	350	8	18	5
LSK 2254 L	356	445	548	863.5	958	149	225	21	993	360	18	1160	80 m6	170	22	85	20	36	31	400	350	8	18	5
LSK 2254 VL	356	445	548	913.5	1008	149	225	21	993	360	18	1210	80 m6	170	22	85	20	36	31	400	350	8	18	5
LSK 2504C M	406	494	600	1018	1216	168	250	22	1180	495	22	1360	100 m6	170	28	106	24	50	35	400	350	8	18	5
LSK 2504C L	406	494	600	1078	1276	168	250	22	1180	495	22	1420	100 m6	170	28	106	24	50	35	400	350	8	18	5
LSK 2804C SM	457	550	655	1106	1248	190	280	29	1300	530	22	1477	110 m6	170	28	116	24	50	46	500	450	8	26	6
LSK 2804C M	457	550	655	1106	1315	190	280	29	1300	530	22	1544	110 m6	170	28	116	24	50	46	500	450	8	26	6
LSK 2804C SL	457	550	655	1216	1358	190	280	29	1300	530	22	1587	110 m6	170	28	116	24	50	46	500	450	8	26	6
LSK 2804C L	457	550	655	1216	1425	190	280	29	1300	530	22	1654	110 m6	170	28	116	24	50	46	500	450	8	26	6
LSK 3554C VS	610	700	705	700	1536	254	355	22.5	1521	680	27	1580	125 m6	210	32	132	24	50	28	940	880	8	25	6
LSK 3554C S	610	700	705	800	1636	254	355	22.5	1521	680	27	1680	125 m6	210	32	132	24	50	28	940	880	8	25	6
LSK 3554C M	610	700	705	850	1686	254	355	22.5	1521	680	27	1730	125 m6	210	32	132	24	50	28	940	880	8	25	6
LSK 3554C L	610	700	705	950	1786	254	355	22.5	1521	680	27	1830	125 m6	210	32	132	24	50	28	940	880	8	25	6
LSK 3554C VL	610	700	705	1100	1936	254	355	22.5	1521	680	27	1980	125 m6	210	32	132	24	50	28	940	880	8	25	6

These characteristics do not form the basis of any contract and are subject to change without prior notification.

## Adaptations



### LSK motor applications :

- Processing of rubber and plastics
- Wire drawing, cable making
- Iron and steel industry, metallurgy, presses
- Paper and card manufacture, printing
- Container cranes
- Mechanical hoist
- Variable flow pump and fan
- Sugar industry

