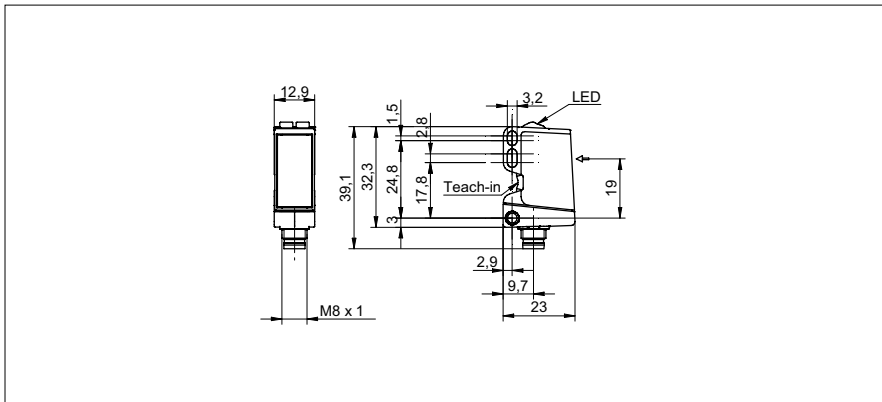


Through beam sensors

O300.ER (Receiver)

sample drawing



general data

type	through beam sensor
emitter / receiver	receiver
actual range S_b	10 m
nominal range S_n	15 m
alignment / soiled lens indicator	flashing light indicator
light indicator	LED yellow
power on indication	LED green
alignment optical axis	< 2°

electrical data

response time / release time	< 0,49 ms
voltage supply range +Vs	10 ... 30 VDC
current consumption max. (no load)	40 mA
current consumption typ.	30 mA
voltage drop Vd	< 3 VDC
output function	light / dark operate
output current	< 100 mA
short circuit protection	yes
reverse polarity protection	yes

mechanical data

width / diameter	12,9 mm
height / length	32,3 mm
depth	23 mm
type	rectangular
housing material	plastic (ASA, PMMA)
front (optics)	PMMA

ambient conditions

operating temperature	-25 ... +60 °C
protection class	IP 67

sample picture



Through beam sensors**O300.ER (Receiver)**

order reference	connection types	output circuit	sensitivity adjustment
O300.ER-11167265	cable 4 pin, 2 m	push-pull	qTeach / remote
O300.ER-11128044	connector M8 4 pin	push-pull	qTeach / remote
O300.ER-11167266	cable 4 pin, 2 m	NPN complementary	qTeach
O300.ER-11128055	connector M8 4 pin	NPN complementary	qTeach
O300.ER-11167267	cable 4 pin, 2 m	PNP complementary	qTeach
O300.ER-11128047	connector M8 4 pin	PNP complementary	qTeach