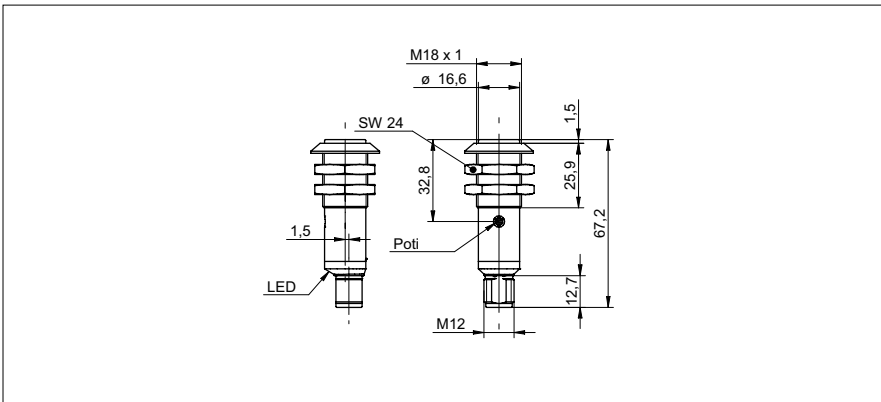


Diffuse sensors with intensity difference

OR18.ZI

sample drawing



general data

type	intensity difference
light source	pulsed infrared diode
alignment / soiled lens indicator	LED green
output indicator	LED yellow
wave length	880 nm
suppression of reciprocal influence	yes

electrical data

response time / release time	< 1 ms
voltage supply range +Vs	12 ... 30 VDC
current consumption max. (no load)	40 mA
current consumption typ.	30 mA
voltage drop Vd	< 2 VDC
output function	light / dark operate
output current	< 100 mA
short circuit protection	yes
reverse polarity protection	yes

mechanical data

width / diameter	18 mm
type	cylindrical threaded
housing material	plastic (ABSTERLURAN)
front (optics)	PMMA

ambient conditions

operating temperature	-25 ... +55 °C
protection class	IP 67

sample picture



**Diffuse sensors with
intensity difference**
OR18.ZI

order reference	sensing distance Tw	height / length	connection types	output circuit	sensing distance adjustment
OR18.ZI-11157801	0 ... 800 mm	67,2 mm	connector M12 4 pin	NPN	potentiometer, 270°
OR18.ZI-11157797	0 ... 300 mm	67,2 mm	connector M12 4 pin	NPN	potentiometer, 270°
OR18.ZI-11157792	0 ... 80 mm	44,8 mm	cable 4 pin, 2 m	NPN	no
OR18.ZI-11157798	0 ... 300 mm	44,8 mm	cable 4 pin, 2 m	NPN	no
OR18.ZI-11157793	0 ... 80 mm	44,8 mm	flylead connector M12 4 pin, L=100 mm	NPN	no
OR18.ZI-11157799	0 ... 300 mm	44,8 mm	flylead connector M12 4 pin, L=100 mm	NPN	no
OR18.ZI-11157800	0 ... 800 mm	67,2 mm	connector M12 4 pin	PNP	potentiometer, 270°
OR18.ZI-11157794	0 ... 300 mm	67,2 mm	connector M12 4 pin	PNP	potentiometer, 270°
OR18.ZI-11157790	0 ... 80 mm	44,8 mm	cable 4 pin, 2 m	PNP	no
OR18.ZI-11157795	0 ... 300 mm	44,8 mm	cable 4 pin, 2 m	PNP	no
OR18.ZI-11157791	0 ... 80 mm	44,8 mm	flylead connector M12 4 pin, L=100 mm	PNP	no
OR18.ZI-11157796	0 ... 300 mm	44,8 mm	flylead connector M12 4 pin, L=100 mm	PNP	no